



For further information on our product and service capabilities, please visit our website at www.score-group.com

Company Address:

Hycrome (Europe) Limited
Unit 3, Widow Hill Court
Heasandford Industrial Estate
Burnley
BB10 2TT
United Kingdom

Tel: + 44 (0) 1282 418 300
Website: www.score-group.com



Dove II Injection Fitting manufactured by Hycrome (Europe) Limited

Fire Test Qualification to API 6FD 1st Edition
Burst Testing in accordance with API 6A

Revolutionary Injection Fitting

Dove II – The Background

Injection fittings are primarily a one way check valve - Designed to allow routine periodic maintenance without allowing internal service media to escape. There are several different designs of sealant injection fitting on the market; each with their own benefits and drawbacks.

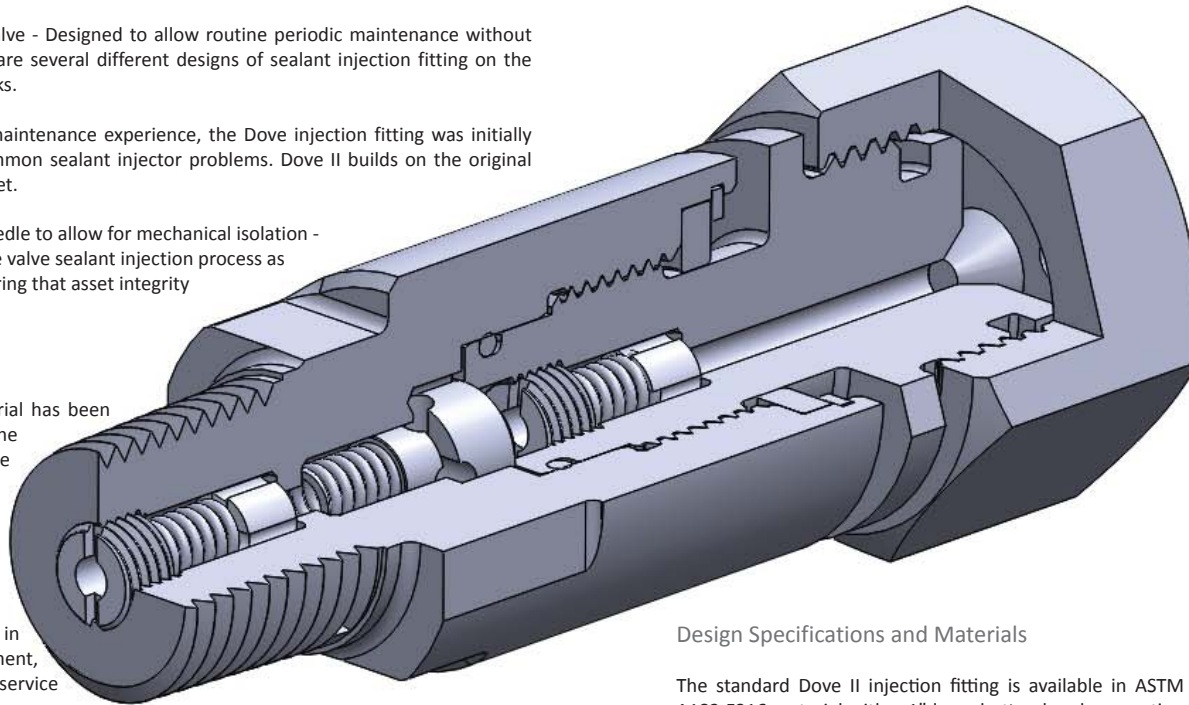
Using Score's significant valve repair and onsite maintenance experience, the Dove injection fitting was initially developed as a solution to some of the most common sealant injector problems. Dove II builds on the original design to bring one of the safest injection fittings yet.

The Dove fitting consists of two checks and one needle to allow for mechanical isolation - Providing operators with the ability to carry out the valve sealant injection process as part of planned maintenance routines, whilst ensuring that asset integrity is never compromised.

Common Injection Fitting Problems

Unless stainless steel or corrosion resistant material has been specified, most sealant injection fittings can be prone to corrosion. The majority of injection fittings on the market are supplied in Carbon steel material with zinc plating applied to the external surfaces. This allows for wear over time, leading to a hazardous corrosion of the parent material.

The traditional check used by most mainstream sealant injection fittings is a small ball bearing. This in itself can be prone to corrosion and even misalignment, leading to a potentially catastrophic leakage of the service media to atmosphere.



Dove II – One of the Safest Fittings on the Market

Dove II is a two part injection fitting. Developed as an enhancement of the original Dove injection fitting; Dove II has been designed to deliver a sealant injector that is cost effective but does not compromise on quality or asset integrity. Most importantly, Dove II is extremely safe to use. The inline design allows for installation in areas of the most limited space, whilst the two-body design feature prevents personnel from accidentally unscrewing components to the point of disengagement.

Dove II features the Mech-Check; a check mechanism specifically designed to allow mechanical isolation between the two main body parts whilst retaining a constant seal throughout operation. Combined with the new, improved internal checks of the Dove II-designed to minimise restrictions during injection and reduce the risks of checks failing to reseat-Dove II is undeniably one of the safest injection fittings available on the market.

Design Specifications and Materials

The standard Dove II injection fitting is available in ASTM A182 F316 material with a 1" large button head connection in both 5,000 psi and 10,000 psi ratings.

The following standard connection sizes are available:

Imperial	Metric
1/2" NPT	M20
3/8" NPT	M15
1/4" NPT	M12 (only available up to 5,000 psi)

Versatility and flexibility are key aspects to the Dove II design, meaning that virtually any connection size can be considered in order to meet our clients' needs. Additionally, the body of the fitting can be produced in ASTM A182 F51 and Inconel 625 materials, dependent on client requirements.

The 10,000 psi rated design has been assessed by Lloyds Register, with the burst and fire tests (API 6FD & API 6A) also being witnessed by LR representatives.

Certificates are available upon request.

